

SADE.io GSM TEMPERATURE SENSOR (SI-TS01/02/03/04/05/06/07)

A Member of SADE.io IoT Cloud Family

Product Description

The SADE.io™ Wireless Temperature use a thermistor to accurately measure temperatures. These sensors are perfect for monitoring ambient temperatures around the sensors physical location. User customization allows you to set the frequency of readings and the ability to set thresholds for alerts via SMS text and/or email. SADE.io Wireless Sensors communicate with the SADE.io™ Gateway for Real Time Sensor Monitoring and Notification Platform via cellular or Wi-Fi connectivity options.

- Wireless Temperature Sensor
- Real plug & play
- Easy to mount
- No PC required for operation
- 2 x AAA Battery

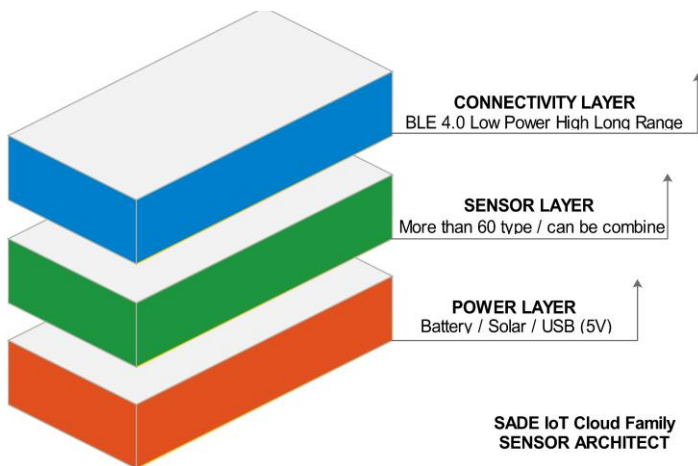


Product Options

- Magnet Mounting
- IoT Platform
- IP67 Enclosure (Optional)

Applications

- Cold Chain Monitoring
- Smart Agriculture
- Smart Home
- Smart Office
- Retail Applications
- Stand Alone Applications
- Security Applications
- Smart Healthy
- Freezer Monitoring
- Medical Tracking

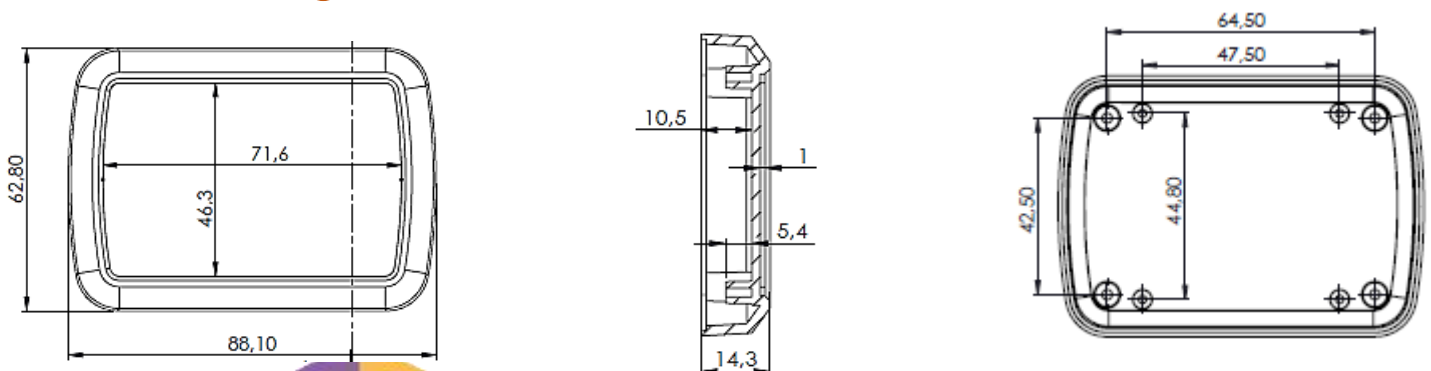


Powered by

Product Specifications

Technology	Bluetooth Smart (Low Energy)
Antenna Type	Internal Antenna
Radio Performance	+8 dBm TX power and -98 dBm sensitivity (Long Range)
Battery	2 x AAA (Replaceable)
Battery Life	2 Years
Dimensions & Weight	88.5 x 63 x 27.5mm / 96 gr
Mounting	With magnet
Storage / Operating Temperature:	-40 °C ~ +85 °C / -25 °C ~ +70 °C
Enclosure Material	ABS (Enclosure for outdoor applications separately supplied.)
Measurement Range	-25 °C ~ +70 °C
Accuracy	+/-0,5 °C
Resolution	0,04 °C
Data Transmission Rate	Default: One signal every 3 minutes (can be customized)
Range	50m to 250m outdoor LOS* conditions.
Operating Frequency	2,4 GHz

Technical Drawing



We are shaping the “things”

TEMPERATURE SENSOR MODELS & FEATURES

TEMPERATURE SENSOR	Basic / M1	Standard / M2	Industrial / M3	IP67 Basic / M4	IP67 Industrial / M5	Memory Function /M6	External Probe/M7
Wireless Module Range	Short Range	Standart Range	Long Range	Short Range	Long Range	Long Range	Long Range
Power Source	Coin Cell	2xAAA	2xAAA	Coin Cell	2xAAA	2xAAA	2xAAA
Case	Standart	Standart Round	Standart	IP67	IP67	Standart	Standart
Detachment Switch	No	No	No	No	No	No	No
Mounting Type	Sticker	Magnet	Magnet	Screw	Screw	Magnet	Magnet
Data Logging	No	No	No	No	No	Yes	No
Sensor Probe	Internal	Internal	Internal	Internal	Internal	Internal	External
Circuit Isolation	No	No	No	Yes	Yes	No	No

Dermis Aesthetics Ltd.

3 Neomi Shemer st. Holon 5845995, Israel

Tel: +972.50.4303224

Email: info@dermisweb.com

We are shaping the "things"